

SEAL REQUEST

No

SHIP TO
NAME
ADDRESS

BILL TO
NAME
ADDRESS

CONTACT
PHONE

CONTACT
PHONE

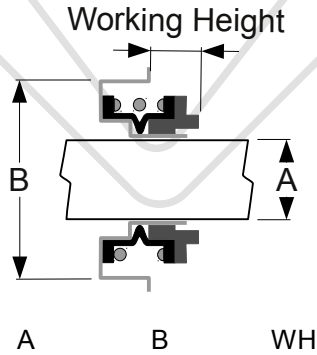
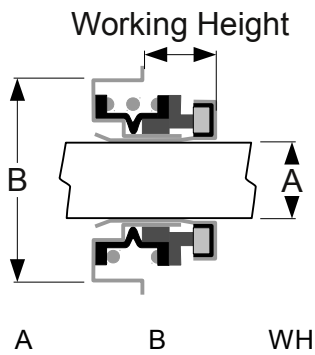
KELLOGG

APPLICATION

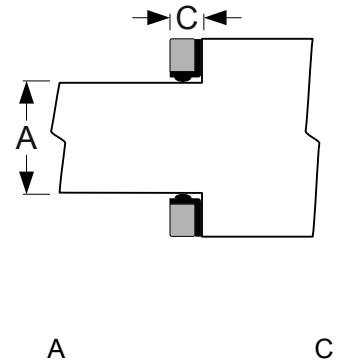
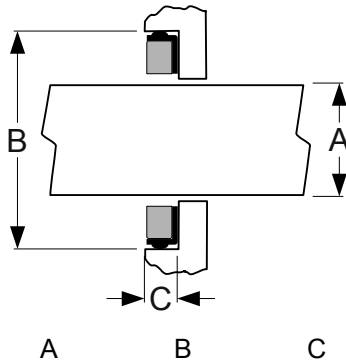
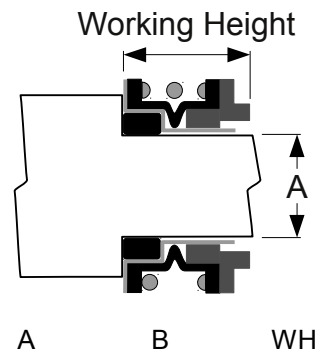
YEAR
MAKE
MODEL

ENGINE
CASTING#

OUR #
O.E. #



TM



NOTES:

ORDER

QTY.

APPROVED BY:

STOCK

QTY.

APPROVED BY: